

Dualiter UD-0702CU

Downlighting

Architectural Lighting

Patio/Gazebo Lighting

Wall Lighting

Backlighting

Reflective Lighting



Nightscaping®

1705 E. Colton Avenue
Redlands, California 92374

Tel: (909) 794-2121

Fax: (909) 794-7292

Help Line: (800) 544-4840

Email: wlocklin@nightscaping.com

<http://www.nightscaping.com>

Uplight architecture and downlight walkways at the same time with a single Nightscaping® Dualiter. This is only an example of the lighting possibilities available to you through the Dualiter's combined up and down design. The solid Copper construction makes this fixture a beautiful addition to any landscape.

Standard Lamp: UD-0702CU -LO2036 (Standard)

Material: **Body:** Copper
Mount Plate: Brass

Finish: UD-0702 CU (Standard) Copper
UD-0702 CU-V Copper-Verde
UD-0702 CU-1, -2, -3, -4, -7, -8, -9, -AV, -VP, -W
(Optional w/surcharge)
UD-0702 SS Stainless Steel
(Call Factory for Quote)

Lens: Clear Pyrex Lens (Standard) - sealed with silicone

Socket: Ceramic G6.35 Bi-Pin

Mounting: Wall Mount (Standard)

Nightscaping[®] The Safe System

Clayliter (open) DB-0902CU

Uplighting

Spot Lighting

Fountain/Statue Lighting

Highlighting

Sign Lighting

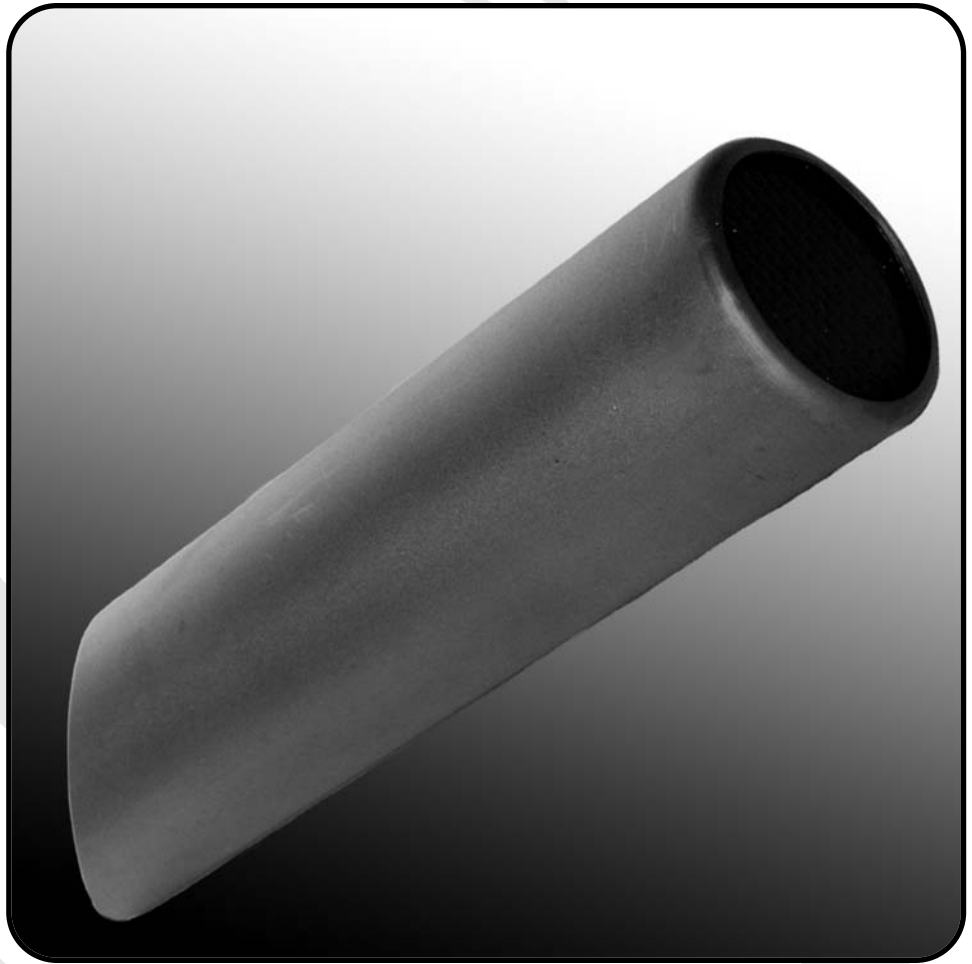
Wall Lighting

Backlighting

Reflective Lighting

Architectural Lighting

Mirror Lighting



Nightscaping®

1705 E. Colton Avenue
Redlands, California 92374
Tel: (909) 794-2121
Fax: (909) 794-7292
Help Line: (800) 544-4840
E-mail: info@nightscaping.com
<http://www.nightscaping.com>

Solve fixture visibility problems with the open, copper Clayliter. Consisting of a cylinder closed at one end by a tempered glass lens with available honeycomb louvered side shielding, and an integrated spike at the opposite end, this fixture allows for a fast and easy push-in installation.

Standard Lamp: DB-0902CU -LO2036 (Standard)

Material: **Body:** Copper

Finish: DB-0902 CU (Standard) Copper
DB-0902 CU-V Copper-Verde
DB-0902 CU-1, -2, -3, -4, -7, -8, -9, -AV, -VP, -W
(Optional w/surcharge)

Lens: Clear Pyrex Lens (Standard) - sealed with silicone

Socket: Ceramic G6.35 Bi-Pin

Mounting: Direct Burial (Standard)

Nightscaping®

Clayliter (open)

DB-0902CU



Nightscaping

Alternative Lamps:	DB-0902CU	-LO1024*, -LO2006, -LO2012, -LO3512, -LO3520, -LO3540, -LO4208, -LO5012, -LO5024, -LO5038, -LO5055, -LH5024*, -LH5036* (Optional)
	BB-0802CU	-LO1141, -LO1156, -LO67, -LO89 (SCB Lamp Option* = Surcharge)
	BB-0802CU	-LO93 (SCB Lamp Option)

Lens: DB-0802CU-LO2036 -A, -B, -G, -MB, -R, -S (Optional)

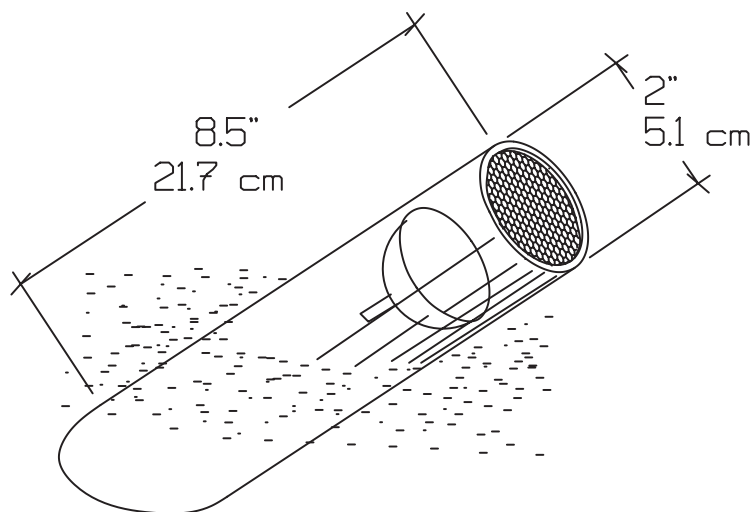
Options: -RT Removable Top

Options: See above indications

Accessories:

Lens:	NS-CU-C (Standard/Accessory)	Clear Lens
	NS-CU-A, -B, -G, -MB, -R, -S	Colored Lens
Light Shield: Used for extra light shielding	0602-S-CU	Copper
	0602-S-CU-V	Copper-Verde
	0602-S-CU-1, -2, -3, -4, -7, -8, -9, -AV, -VP, -W (Optional w/surcharge)	
Louvre:	LR-0202	Round 1/8" Black Louvre - Steel

Warranty: 10-Year 'Repair or Replace' Warranty.



	LO 2036 (BAB) (20W)	42° x 42°
2ft	1'6"	131.3 FC
4ft	3'0"	32.8
6ft	4'7"	14.6
8ft	6'1"	8.2
10ft	7'8"	5.3
12ft	9'2"	3.7
14ft	10'9"	2.7
16ft	12'3"	2.1
18ft	13'9"	1.6
20ft	15'4"	1.3

STANDARD LAMP PHOTOMETRIC

DESIGN TIP*

This compact fixture is great for uplighting in small planters and pots.

Dualiter

UD-0702CU



Nightscaping™ The Safe System

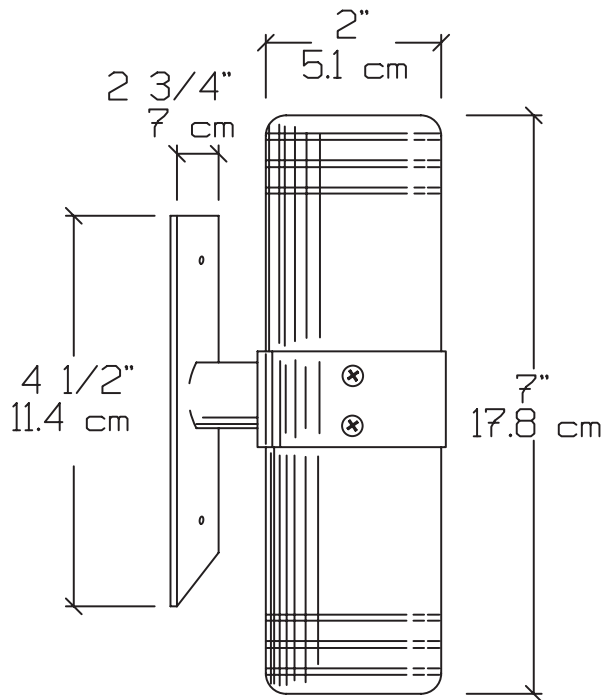
Alternative Lamps: UD-0702CU -LO1024*, -LO2006, -LO2012, -LO3512, -LO3520, -LO3540 (Optional)
 BD-0702CU -LO93, -LO1141, -LO1156, -LO67, -LO89 (SCB Lamp Option)
 * = Surcharge

Lens: UD-0702CU-LO2036 -A, -B, -G, -MB, -R, -S (Optional)

Options: See above indications
 UD-0702CU-LO2036 -CP (Optional) One End of Body Capped
Mount Plate:
 UD-0702CU-LO2036 -NMO (Optional) No Mount Plate

Accessories: **Lens:**
 NS-CU-C (Standard/Accessory) Clear Lens
 NS-CU-A, -B, -G, -MB, -R, -S Colored Lens
Light Shield: Used for extra light shielding
 0602-S-CU Copper
 0602-S-CU-V Copper-Verde
 0602-S-CU-1, -2, -3, -4, -7, -8, -9, -AV, -VP, -W (Optional w/surcharge)
Louvre:
 LR-0202 Round 1/8" Black Louvre - Steel

Warranty: 10-Year 'Repair or Replace' Warranty.



	LO 2036 (BAB) (20W)	42° x 42°
2ft	1'6"	131.3 FC
4ft	3'0"	32.8
6ft	4'7"	14.6
8ft	6'1"	8.2
10ft	7'8"	5.3
12ft	9'2"	3.7
14ft	10'9"	2.7
16ft	12'3"	2.1
18ft	13'9"	1.6
20ft	15'4"	1.3

STANDARD LAMP PHOTOMETRIC

DESIGN TIP*

Available with rectangular, circular, or square mounting plates. Call the factory for a custom quote.

Okeeffeliter BM-2961

Uplighting

Spot Lighting

Fountain/Status Lighting

Sign Lighting

Wall Lighting

Cross Lighting

Backlighting

Reflective Lighting

Mirror Lighting

Flood Lighting



Nightscaping®

1705 E. Colton Avenue
Redlands, California 92374
Tel: (909) 794-2121
Fax: (909) 794-7292
Help Line: (800) 544-4840
Email: wlocklin@nightscaping.com
<http://www.nightscaping.com>

Guarantee quality and function when you specify the solid brass Okeeffeliter. Backed by a lifetime warranty, this specification-grade fixture is ideally suited for the commercial environment or high-end residential project. The ribbed construction allows for heat dissipation of all MR-16 lamps, and maximizes rated lamp life and constant color rendition.

Standard Lamp: BM-2961BR -LO2036 (Standard)

Material: Solid Pressurized Die-Cast Brass

Finish: BM-2961 BR (Standard) Brass
BM-2961 BR-V Brass-Verde
BM-2961 BR-1, -2, -3, -4, -7, -8, -9, -AV, -VP, -W
(Optional w/surcharge)

Lens: Clear Tempered Glass (Standard)

Socket: Ceramic G6.35 Bi-Pin

Mounting: Spike Mount (Standard)

Nightscaping The Safe System

Okeeffeliter

BM-2961



Nightscaping™ The Safe System

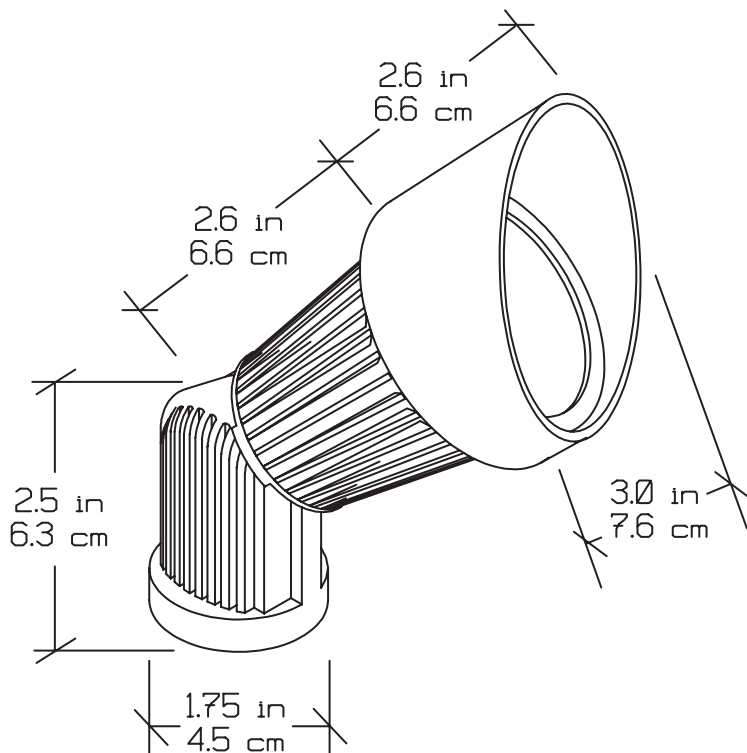
Alternative Lamps: BM-2961BR -LO1024*, -LO2006, -LO2012, -LO3512, -LO3520, -LO3540, -LO4208, -LO5012, -LO5024, -LO5038, -LO5055, -LH5024*, -LH5036* (Optional)
 * = Surcharge

Lens: BM-2961BR-LO2036 -S Spread Lens (Optional)

Options: See above indications

Accessories: **Lens:**
 NS-OK-C (Standard/Accessory) Clear Lens
 NS-OK-S Spread Lens
Tree Mount: Brass - Tree Mount with 2 Buckles
 1202BR
 1202BR-V
 1202BR-1, -2, -3, -4, -7, -8, -9, -AV, -VP, -W (Optional w/surcharge)

Warranty: LIFE 'Repair or Replace' Warranty.



	LO 2036 (BAB) (20W)	42° x 42°
2ft	1'6"	131.3 FC
4ft	3'0"	32.8
6ft	4'7"	14.6
8ft	6'1"	8.2
10ft	7'8"	5.3
12ft	9'2"	3.7
14ft	10'9"	2.7
16ft	12'3"	2.1
18ft	13'9"	1.6
20ft	15'4"	1.3

STANDARD LAMP PHOTOMETRIC

DESIGN TIP*

Available with an additional Alan retainer screw and/or brass chain to secure eyebrow to body.

NIGHTSCAPING® POWERCENTER™

THE PROFESSIONAL'S LOW-VOLTAGE LIGHTING TRANSFORMER



LISTED 19FK
POWER UNIT
UL1838 APPROVED

Eliminate guess work with permanent, easy to read diagram & instructions

Overhead coil configuration offers most efficient and consistent form of power

T-304 Stainless Steel Case with removable door and security lock screws

Backside keyhole mounting bracket eases installation

Vented for cool, safe and efficient operation

Vertical, oversized 60 Amp terminal blocks hold cables permanently in place

Oversized wiring cavity

Exclusive 4-position voltage regulation on/off switch maximizes lamp life and design capabilities

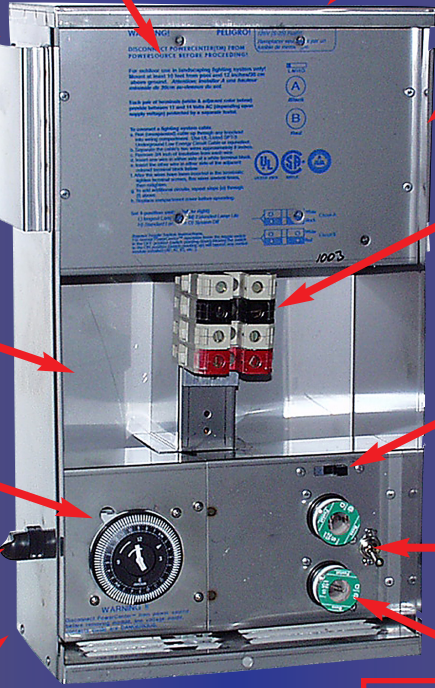
Choose from multiple control options: timers, photocells, and more

Manual override toggle switch eases troubleshooting should the need arise

Optional photocell can be removed and installed apart from transformer

Heavy-duty riveted construction provides unmatched durability and structural integrity

Secondary fustat protection ensures safe operation in any weather, and is more reliable than regular breakers



The Nightscaping® Powercenter™ offers you absolute freedom in your outdoor lighting designs. When you choose the Nightscaping® brand you eliminate the restrictions of building your system around equipment limitations that dictate how you have to approach your lighting projects. A Nightscaping® Powercenter™ won't restrict you, it will allow you to realize further capabilities in your lighting designs.

- Models Available from 100 - 1000 Watts So You Can Tackle Low-Voltage Lighting Projects of Any Size.
- H30 Multi-tap Powercenters™ Also Available For More Complex and Challenging Lighting Designs.
- Special Order Powercenters™ Available in any Standard Powdercoat Finish or Custom Color of Choice.
- Nightscaping® Backs All Powercenters™ With An Exclusive LIFETIME GUARANTEE! You Can't Beat It!



1705 E. Colton Ave.
Redlands, CA 92374

Toll Free: (800) 544-4840
Fax: (909) 794-7292

www.nightscaping.com
info@nightscaping.com

1. UL Standards

A UL Standard has cleared UL's standards development procedures and has been formally adopted and published as a UL Standard for Safety.

UL has standards for over 300 different items and applications.

Example:

- UL 399 Standard for drinking water fountains
- UL 752 Standard for Bullet-Resisting equipment
- UL 912 Standard for Highway Emergency Signals
- UL 1445 Standard for Electric Water Bed Heaters
- UL 1777 Standard for Chimney Liners
- UL 2196 Standard tests for Fire Resistive Cables

2. Low Voltage Landscape Lighting Systems – UL 1838

The requirements in this standard apply to a low-voltage landscape lighting system and components that typically consist of an isolating type power unit, wiring and luminaire. This standard only covers equipment where the maximum output of each secondary circuit is 25 A, 15 V (21.2 V peak) open circuit voltage, 300 VA. The equipment is intended to be installed in accordance with the National Electrical Code, ANSI/NFPA 70.

The luminaires covered by this standard are intended for garden, walkway, patio areas, or similar outdoor locations and for certain indoor locations such as atriums and shopping malls. The power units are to be installed indoors or outdoors in accordance with the marking on the product.

3. Specialty Transformers – UL 506

These requirements cover air-cooled transformers and reactors for general use, and ignition transformers for use with gas burners and oil burners. Transformers incorporating overcurrents or over-temperature protective devices, transient voltage surge protectors, or power factor correction capacitors are also covered by these requirements. These transformers are intended to be used in accordance with the National Electrical Code, NFPA 70.

These requirements do not cover liquid-immersed transformers, variable voltage autotransformers, transformers having a nominal primary rating of more than 600 volts, transformers having overvoltage taps rated over 660 volts, cord and plug connected transformers (other than gas-tube-sign transformers), garden light transformers, voltage regulators, swimming pool and spa transformers, or other special types of transformers covered in requirements for other electrical devices or appliances.

UL 1310 Class 2 Power Units

These requirements do not cover products intended for supplying low voltage landscape lighting. Products of this type are covered by UL 1838, the Standard for Low Voltage Landscape Lighting Systems.